

ITEM	DESCRIPTION	QTY.	PAGE
A	TRACK (SDH) - 72 - TB	1	2
B	HANGER (SDH) - STD	2	5
C	ADJUSTABLE SPACER (MALE-FEMALE) (SDH)	4	6
D	DOOR STOP (SDH) - TB	2	7
E	DOOR C GUIDE (SDH) - TB	1	8
F	ANTI-JUMP DEVICE (SDH)	2	9
G	DOOR HARDWARE KIT	1	10

ALL ITEMS DESIGNATED BY LETTER MUST BE PROVIDED IN AN INDIVIDUAL SEALED PLASTIC BAG

UNFOLD STEEL STATE PARTS CAN BE DELIVERED AS .dxf FORMAT FOR CUTTING PROCESS

REVISIONS			
REV.	DESCRIPTION	DATE	INIT.
1	ITEMS ZINC PLATED IN HANGER (ITEM 2) ARE NOW BLACK / HANDLE REMOVED	2014-10-07	E.T.

PLEASE USE THE 3D PART SUBMITTED WITH THIS DRAWING TO PRODUCE: SLIDING DOOR HARDWARE (SDH)-R01 - 72 -

MATERIAL/TREATMENT: [SEE PART LIST]

FINISHING: [SEE PART LIST]

AS PER PROCESS, IF NOT SPECIFIED: DRAFT ANGLE: --- ROUGHNESS AVERAGE: 125µm [3.2µm] BREAK SHARP CORNERS / DEBURRS

ESTIMATED NET WEIGHT: 13.65lbs 5.39kg QTY/ASSEMBLY: --- BUNDLE ASSEMBLY

TOLERANCES (NON-CUMULATIVE): NOMINAL: ±1/64" [0.40mm] X: ±0.010" [0.25mm] XX: ±0.007" [0.18mm] XXX: ±0.003" [0.08mm] ANGLES: ±5°

**Métallifer**

2190, 3e RUE, SAINT-ROMULAUD (QUÉBEC) CANADA G9W 0V4  
 TOLL FREE: 1-800-463-7230  
 PHONE: 418-334-6664  
 FAX: 418-334-6665  
 EMAIL: INFO@METALLIFER.COM  
 WEB: WWW.METALLIFER.COM

NOTICES  
 THIS DRAWING IS AN EXCLUSIVE PROPERTY OF MÉTALLIFER (2009) LTEE AND IT CAN'T BE DIRECTLY OR INDIRECTLY USED BY OTHER MANUFACTURERS AND OTHER INSTITUTIONS WITHOUT A WRITTEN CONSENT OF MÉTALLIFER (2009) LTEE.

DRAWN BY: EMMANUEL TREMBLAY  
 VERIFIED BY: FRANÇOIS DUSSAULT

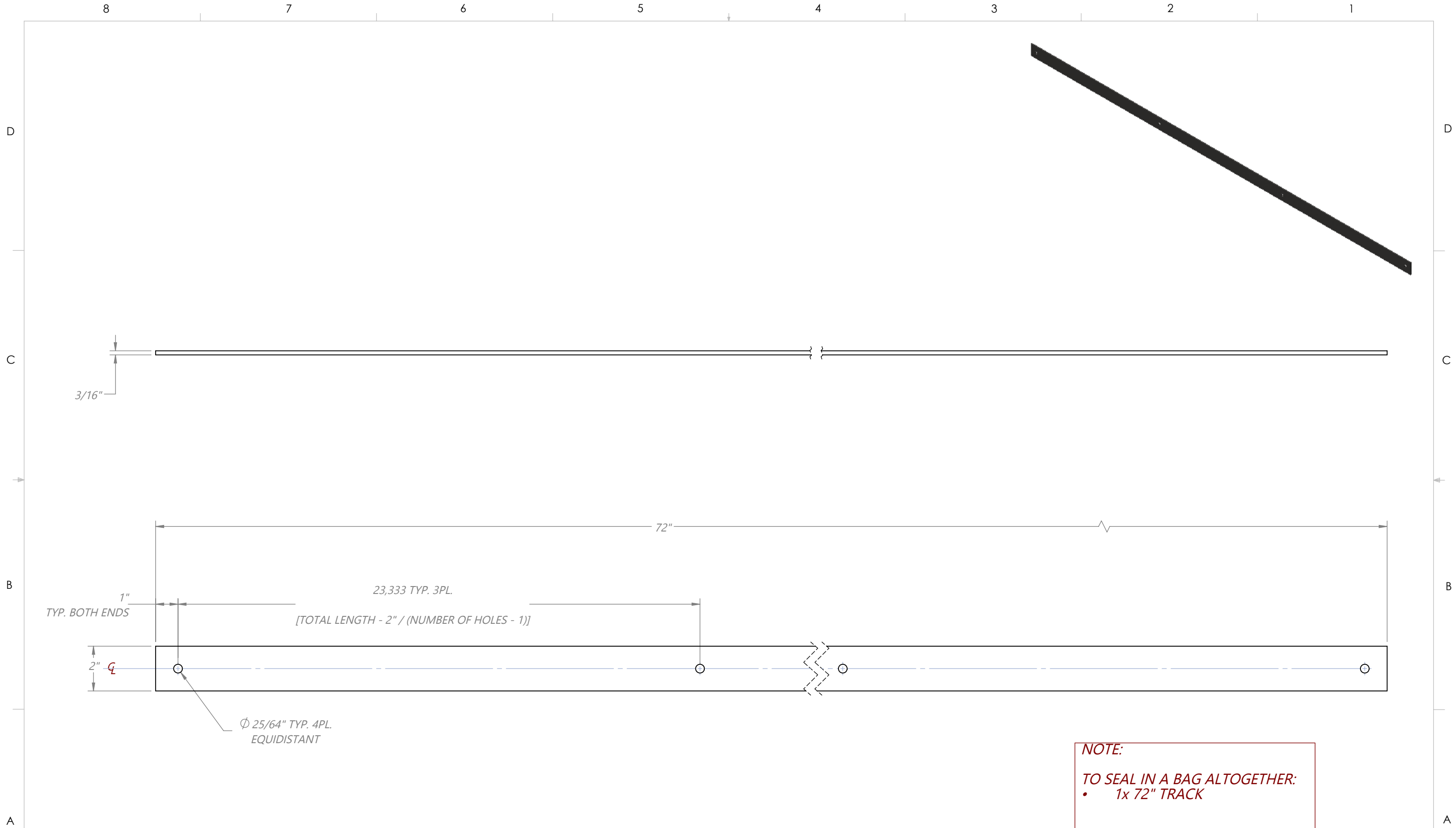
PROJECT: SLIDING DOOR HARDWARE - 72 - STD - TB  
 (YEAR-MONTH-DAY) 2014-06-02

PROJETS: 1445PSDH72STB-00,R01


PERMITS: B

SCALE: 1:12

PAGE: 1/10

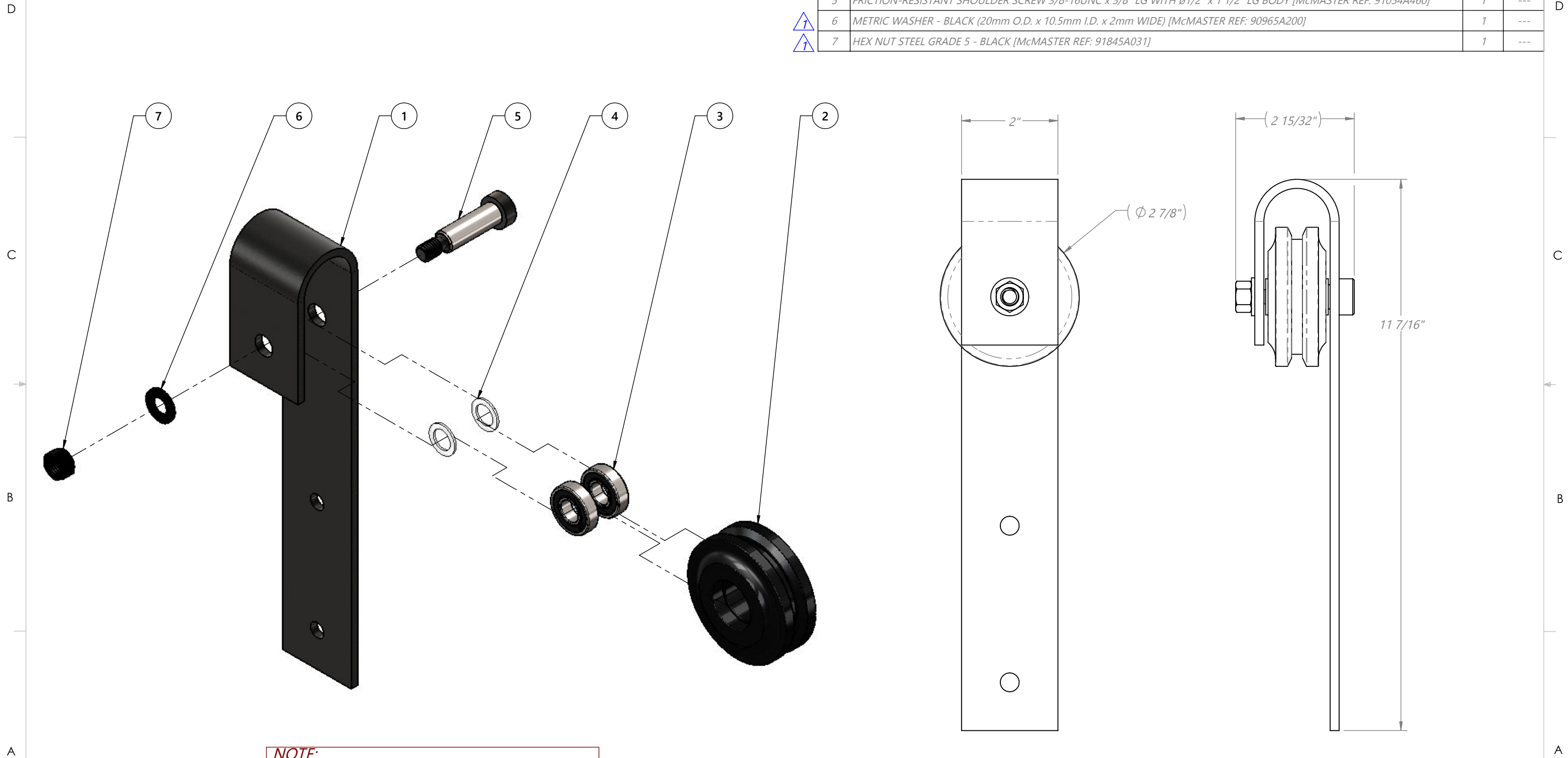


PLEASE USE THE 3D PART SUBMITTED WITH THIS DRAWING TO PRODUCE TRACK (SDH)-72 (TROUS EQUIDISTANT)

MATERIAL/TREATMENT: <b>3/16" MILD STEEL PLATE, 2"x72"</b>		FINISHING: <b>TEXTURED BLACK COATING</b>		TOLERANCES (NON-CUMULATIVES) NON-MACHINED DIMENSIONS:		 <p>2190, 3e RUE SAINT-ROMUALD (QUÉBEC) CANADA G9W 6Y4 PHONE: 418-334-6664 TOLL FREE: 1-800-463-7230 FAX: 418-334-6665 EMAIL: INFO@METALLIFER.COM WEB: WWW.METALLIFER.COM</p>		NOTICES THIS DRAWING IS AN EXCLUSIVE PROPERTY OF METALLIFER (2009) LTEE AND IT CAN'T BE DIRECTLY OR INDIRECTLY USED BY OTHER MANUFACTURERS AND OTHER INSTITUTIONS WITHOUT A WRITTEN CONSENT OF METALLIFER (2009) LTEE	
AS PER PROCESS, IF NOT SPECIFIED:	DRAFT ANGLE:	ROUGHNESS AVERAGE:	500µin 12.5µ	BREAK SHARP CORNERS / DEBURRS	MACHINED DIMENSIONS:		PROJECT:		
RADI:	QTY/ASSEMBLY:	1	IMPERIAL	NOMINAL: ±1/64" [0.40mm] X: ±0.010" [0.25mm] XX: ±0.007" [0.18mm] XXX: ±0.003" [0.08mm]		DRAWN BY:		TRACK (SDH) - 72 - TB	
ESTIMATED NET WEIGHT:	7.6lbs	3.45kg	1	VERIFIED BY:	DATE (YEAR-MONTH-DAY):		2014-06-02	2014-06-02	
DRAWING NUMBER:		1445PSDH72STB-00,R01		FORMAT:	B	SCALE:	1:4	PAGE:	
REVISION STATUS:		R01		STATUS:		2/10			

REVISIONS			
REV.	DESCRIPTION	DATE	INIT.
1	ITEMS ZINC PLATED IN HANGER (ITEM 2) ARE NOW BLACK / HANDLE REMOVED	2014-10-07	E.T.

ITEM	DESCRIPTION	QTY.	PAGE
1	HANGER - FRAME (SDH) - T - TB	1	4
2	HANGER - ROLLER (SDH)	1	5
3	RADIAL BALL BEARING R8-2RS (1 1/8"O.D. x 1/2" I.D. x 5/16" WIDE)	2	---
4	WASHER OFF-WHITE NYLON 6/6 (0.75"O.D. x 0.5" I.D. x 0.06" WIDE) [McMASTER REF: 90295A187]	2	---
5	FRICTION-RESISTANT SHOULDER SCREW 3/8-16UNC x 5/8" LG WITH $\phi 1/2"$ x 1 1/2" LG BODY [McMASTER REF: 91054A460]	1	---
6	METRIC WASHER - BLACK (20mm O.D. x 10.5mm I.D. x 2mm WIDE) [McMASTER REF: 90965A200]	1	---
7	HEX NUT STEEL GRADE 5 - BLACK [McMASTER REF: 91845A031]	1	---



**NOTE:**  
**TO SEAL IN A BAG ALTOGETHER:**  
 • 1x FULLY ASSEMBLED HANGER  
**TWO ARE REQUIRED FOR THE MASTER KIT**

PLEASE USE THE 3D PART SUBMITTED WITH THIS DRAWING TO PRODUCE: HANGER (SDH)-R00-STD

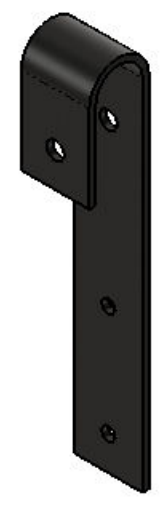
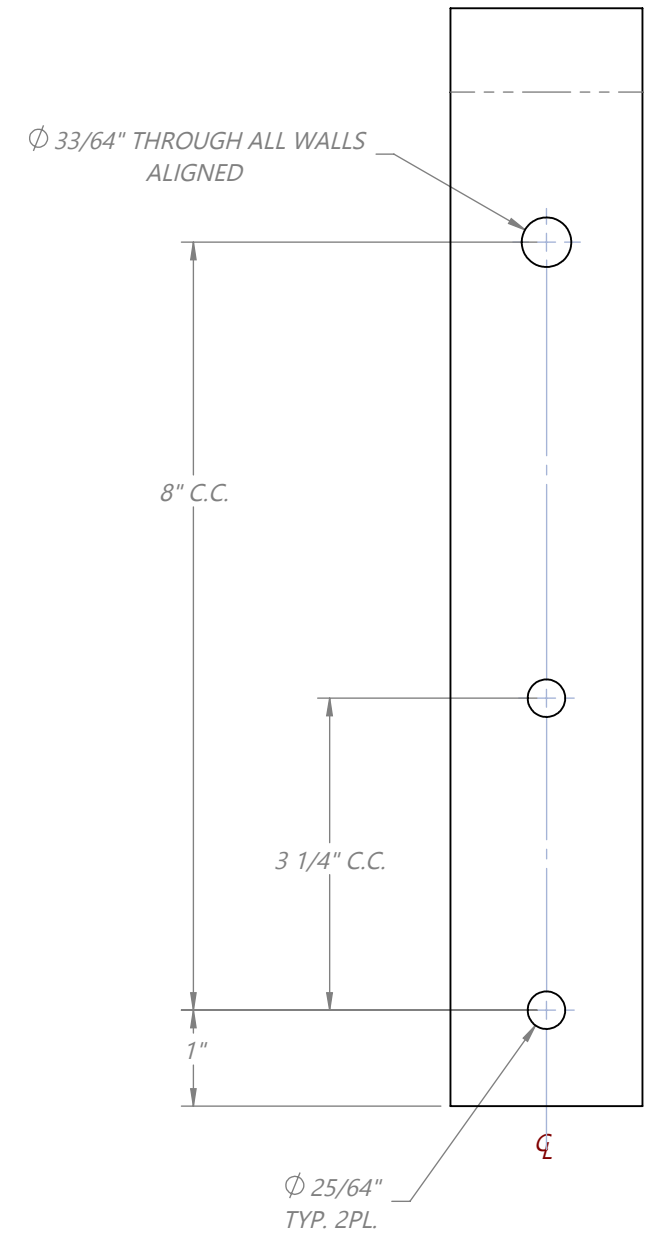
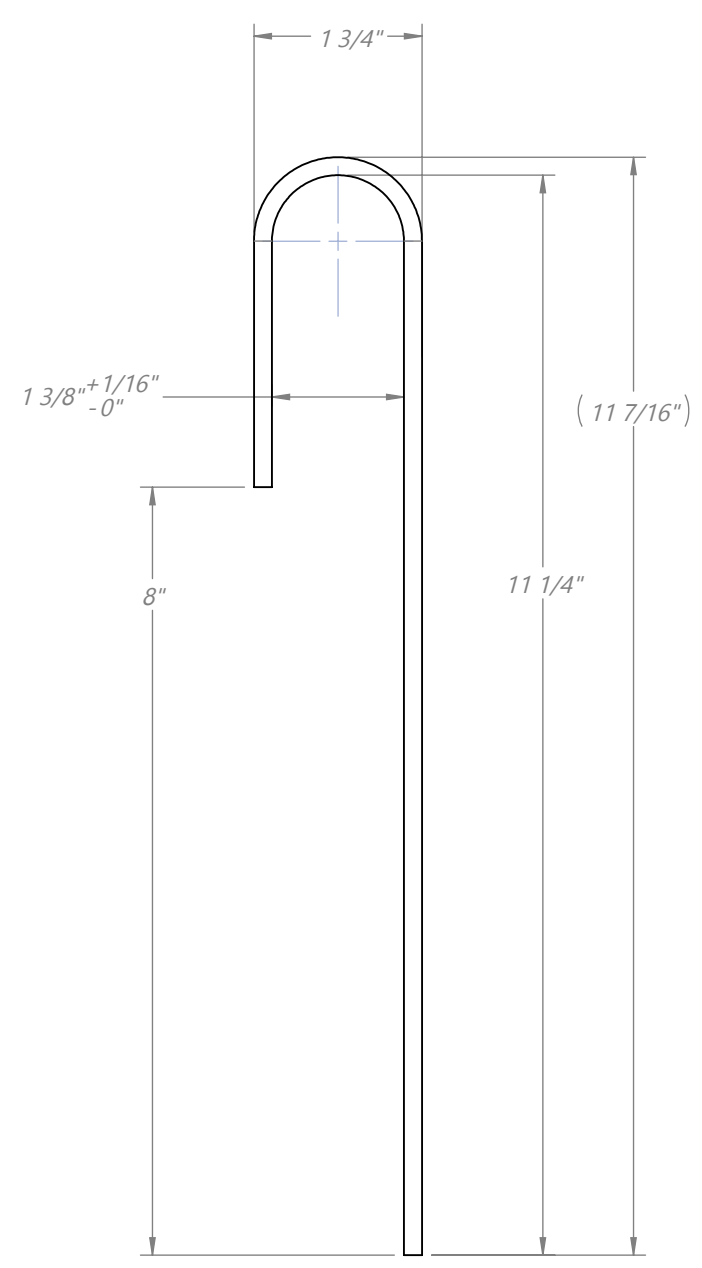
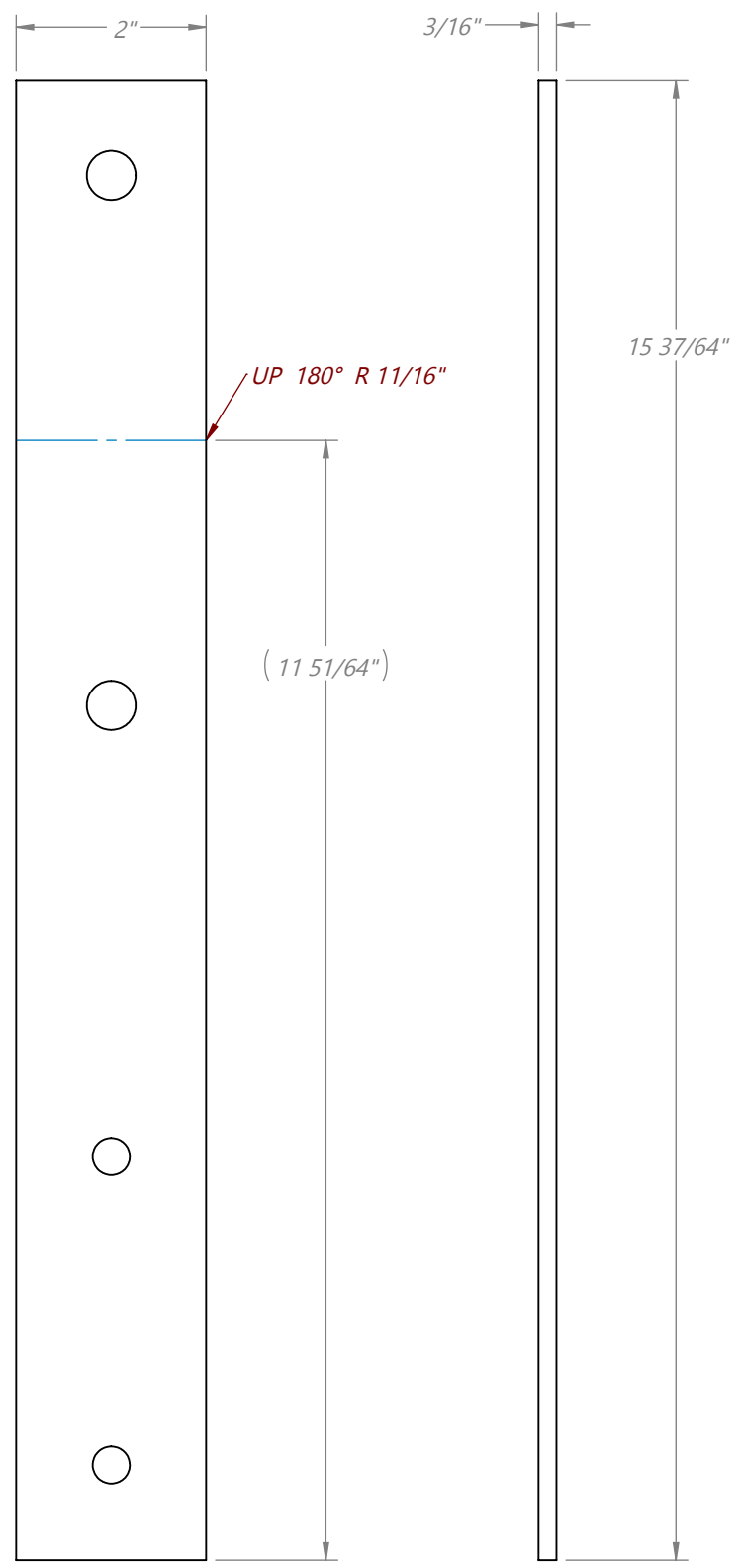
MATERIAL/TREATMENT: [SEE PART LIST]	FINISHING: [SEE PART LIST]	AS PER PROCESS, IF NOT SPECIFIED...	DRAFT ANGLE:	ROUGHNESS AVERAGE: 125µin [3.2µm]	BREAK SHARP CORNERS / DEBURRS	TOLERANCES (NON-CUMULATIVE): NON-MACHINED DIMENSIONS:	MACHINED DIMENSIONS: NOMINAL: ±1/64" [0.40mm] X: ±.010" [0.25mm] XX: ±.007" [0.18mm] XXX: ±.003" [0.08mm]	2190, St. RIE, SAINT-ROMULAUD (QUEBEC) CANADA G5W 6Y4 TOLL FREE: 1-800-463-7230 PHONE: 418-334-6664 FAX: 418-334-6665 EMAIL: INFO@METALLIFER.COM WEB: WWW.METALLIFER.COM	NOTICES THIS DRAWING IS AN EXCLUSIVE PROPERTY OF METALLIFER (2009) LTEE AND IT CAN'T BE DIRECTLY OR INDIRECTLY USED BY OTHER MANUFACTURERS AND OTHER INSTITUTIONS WITHOUT A WRITTEN CONSENT OF METALLIFER (2009) LTEE.	
ESTIMATED NET WEIGHT: 2.1lbs 0.54kg	QTY/ASSEMBLY: 2	DRAWING TYPE:	DRAWN BY:		PROJECT: HANGER (SDH) - STD - TB	DATE: (YYMMDD)	ISSUE NUMBER AND REVISION STATUS: 2014-06-02 1445PSDH72STB-00,R01	FORMAT: B	SCALE: 1:2	PAGE: 3/10

8 7 6 5 4 3 2 1

D  
C  
B  
A

D  
C  
B  
A

UNFOLD SHEET STATE



FOLDING DATA ARE GUIDELINES ONLY.  
OTHER VIEWS MUST BE PRIORITIZED.

PLEASE USE THE 3D PART SUBMITTED WITH THIS DRAWING TO PRODUCE: HANGER-FRAME (SDH)-R00

MATERIAL/TREATMENT: <b>3/16" MILD STEEL PLATE</b>		FINISHING: <b>TEXTURED BLACK COATING</b>	
AS PER PROCESS, IF NOT SPECIFIED	DRAFT ANGLE: ---	ROUGHNESS AVERAGE: 125µm [3.2µm]	BREAK SHARP CORNERS / DEBURRS
RADI: ---	ESTIMATED NET WEIGHT: 1.6lbs   0.73kg	QTY/ASSEMBLY: 2	FABRICATION

TOLERANCES (NON-CUMULATIVES) NON-MACHINED DIMENSIONS:			
MACHINED DIMENSIONS:	NOMINAL: ±1/64" [0.40mm]	XX: ±.010" [0.25mm]	XXX: ±.003" [0.08mm]
ANGLES: ±5°			

**Métallifer**  
2190, 3e RUE, SAINT-ROMUALD (QUÉBEC) CANADA G5W 6Y1  
TOLL FREE: 1-800-463-7230  
PHONE: 418-334-6661  
FAX: 418-334-6665  
EMAIL: INFO@METALLIFER.COM  
WEB: WWW.METALLIFER.COM

DRAWN BY: EMMANUEL TREMBLAY  
VERIFIED BY: FRANÇOIS DUSSAULT

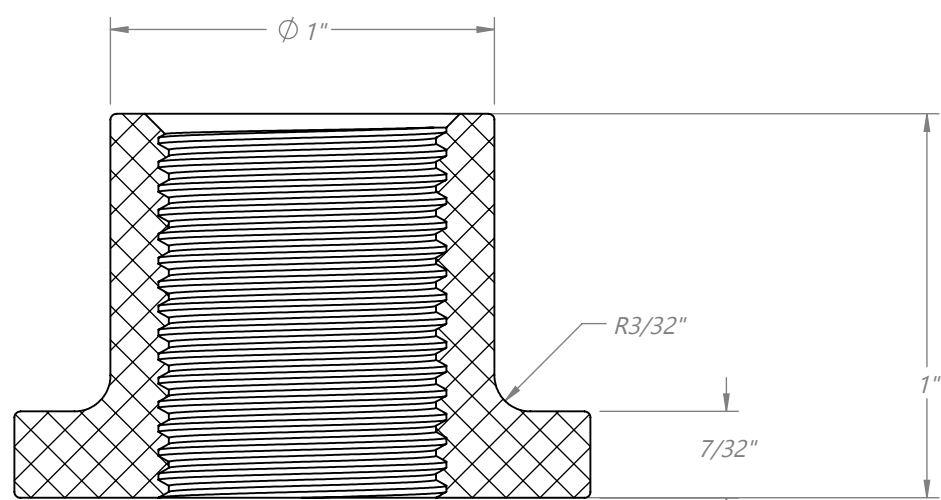
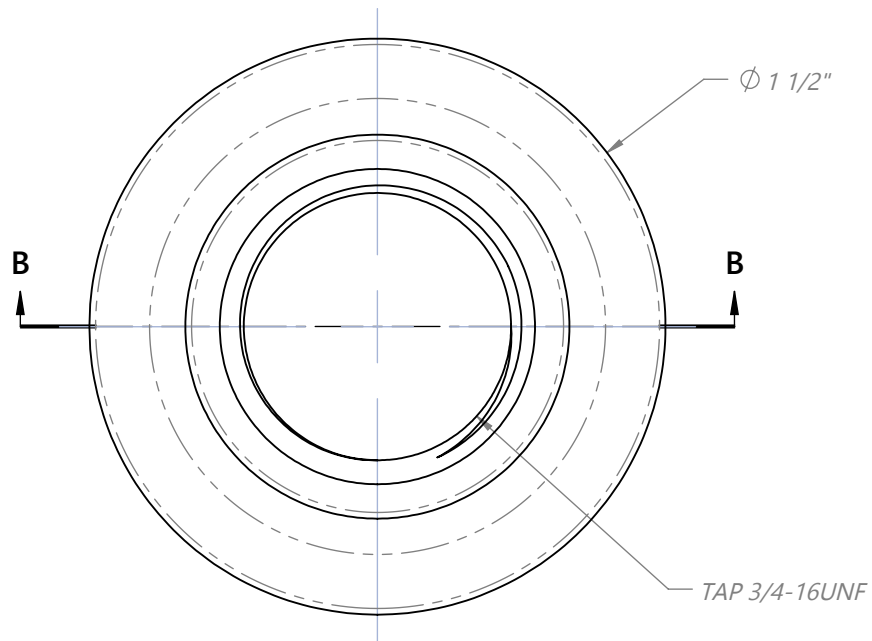
PROJECT: HANGER-FRAME (SDH) - STD - TB  
(1000 MONTH 04R)  
DATE: 2014-06-02  
PART NUMBER: 1445PSDH72STB-00,R01

NOTICES THIS DRAWING IS AN EXCLUSIVE PROPERTY OF METALLIFER (2009) LTEE AND IT CAN'T BE DIRECTLY OR INDIRECTLY USED BY OTHER MANUFACTURERS AND OTHER INSTITUTIONS WITHOUT A WRITTEN CONSENT OF METALLIFER (2009) LTEE.			
FORMAT: B	SCALE: 1:2	PAGE: 4/10	

8 7 6 5 4 3 2 1

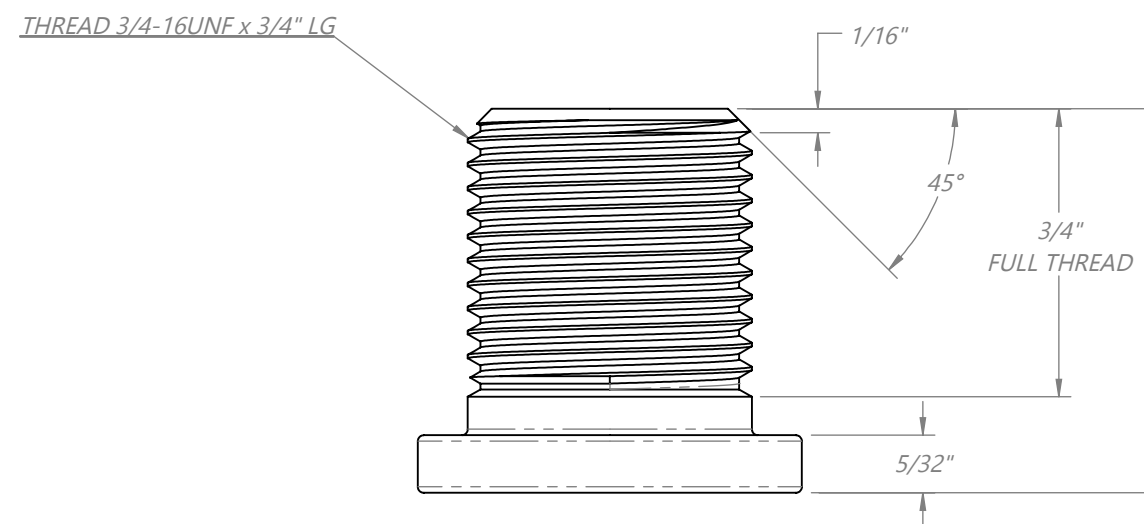
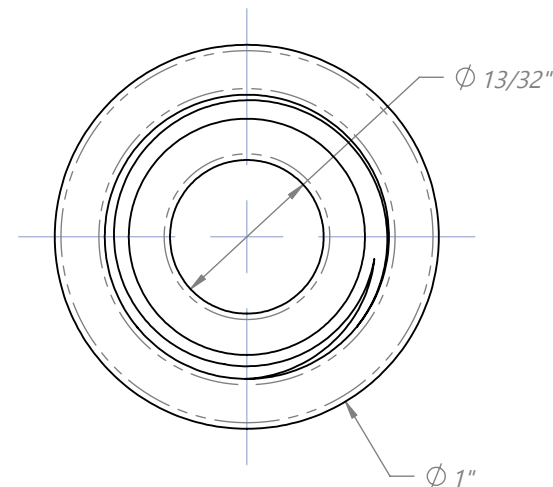


ADJUSTABLE SPACER FEMALE



B-B

ADJUSTABLE SPACER MALE



NOTE:

- TO SEAL IN A BAG ALTOGETHER:
- 4x ADJUSTABLE SPACER MALE
  - 4x ADJUSTABLE SPACER FEMALE
  - 4x LAG SCREW M8 x 2.8mm x 90mm LG (OR 5/16-9 x 3 1/2"), BLACK (see page 10)
  - 4x WASHER M8, 16mm OD x 8.4mm ID x 1.5mm, BLACK (see page 10)

PLEASE USE THE 3D PART SUBMITTED WITH THIS DRAWING TO PRODUCE: ADJUSTABLE SPACER - FEMALE (SDH)-R00

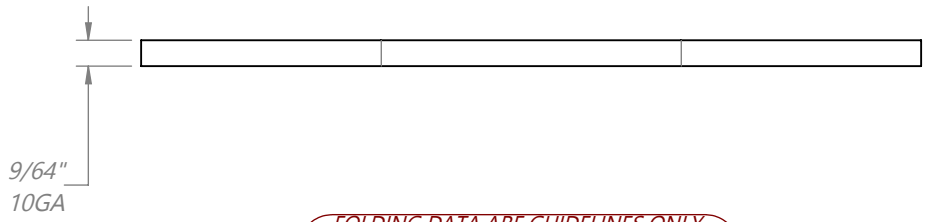
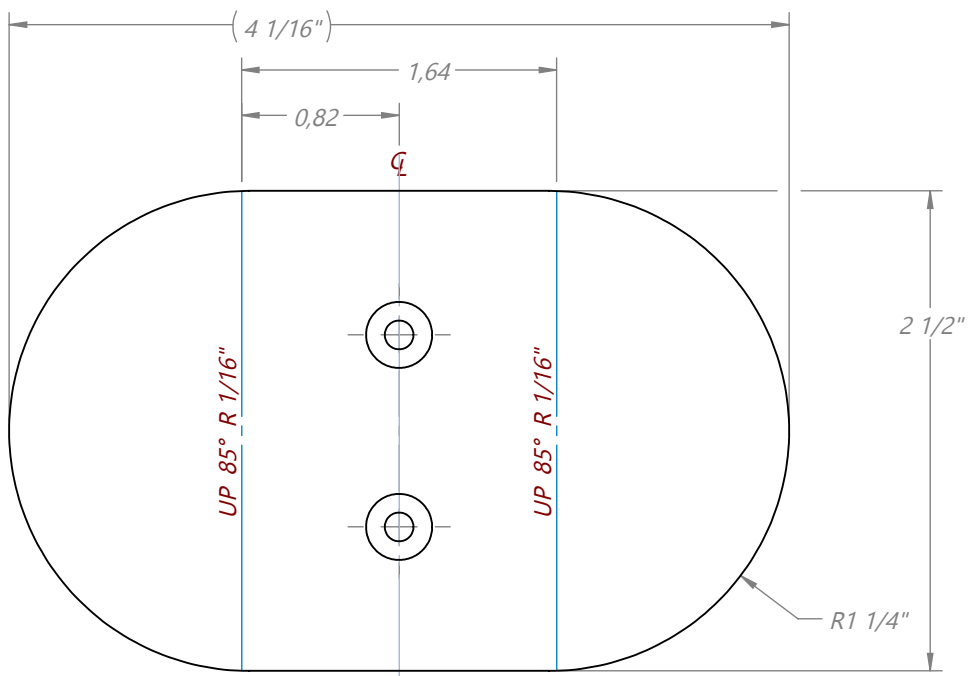
MATERIAL/TREATMENT: <b>BLACK PP (PLASTIC)</b>	TOLERANCES (NON-CUMULATIVES) NON-MACHINED DIMENSIONS:
FINISHING: NONE	MACHINED DIMENSIONS:
AS PER PROCESS, IF NOT SPECIFIED: DRAFT ANGLE: --- ROUGHNESS AVERAGE: 125µm [3.2µm] BREAK SHARP CORNERS / DEBURRS	NOMINAL: ±1/64" [0.40mm] XX: ±.010" [0.25mm] XXX: ±.007" [0.18mm]
ESTIMATED NET WEIGHT: 0.0bs 0kg SEE NOTE FABRICATION	ANGLES: ±5°



2190, 3e RUE, SAINT-ROMULFO (QUÉBEC) CANADA G5W 6Y4 TOLL FREE: 1-800-463-7230 PHONE: 418-334-6664 FAX: 418-334-6665 EMAIL: INFO@METALLIFER.COM WEB: WWW.METALLIFER.COM	NOTICES THIS DRAWING IS AN EXCLUSIVE PROPERTY OF METALLIFER (2009) LTEE AND IT CAN'T BE DIRECTLY OR INDIRECTLY USED BY OTHER MANUFACTURERS AND OTHER INSTITUTIONS WITHOUT A WRITTEN CONSENT OF METALLIFER (2009) LTEE.
DRAWN BY: EMMANUEL TREMBALY	PROJECT: ADJUSTABLE SPACER - FEMALE
VERIFIED BY: FRANÇOIS DUSSAULT	DATE (YEAR-MONTH-DAY): 2014-06-02
FORMAT: B	SCALE: 2:1
PAGE: 6/10	REV. NO. / DATE: 1445PSDH72STB-00,R01

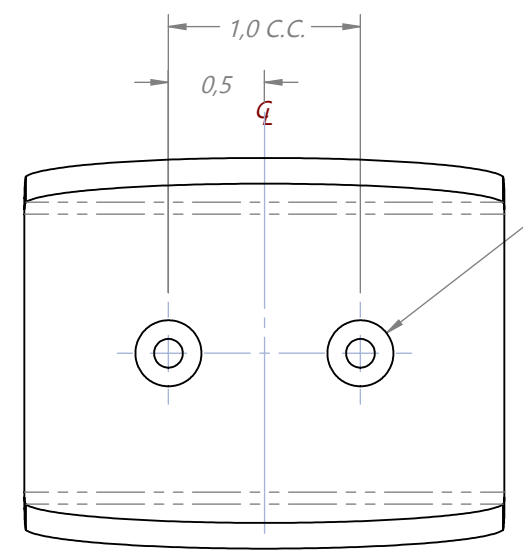
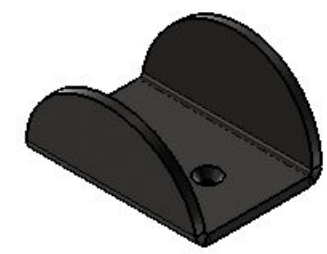
D  
C  
B  
A

**UNFOLD SHEET STATE**

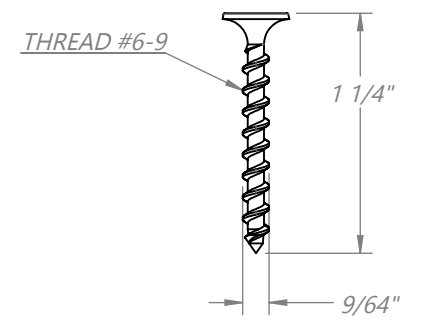
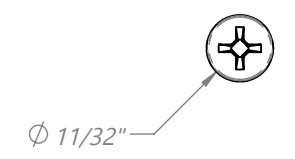
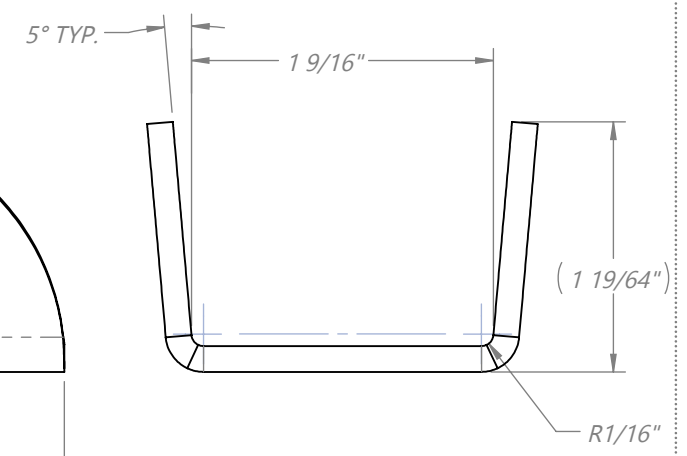
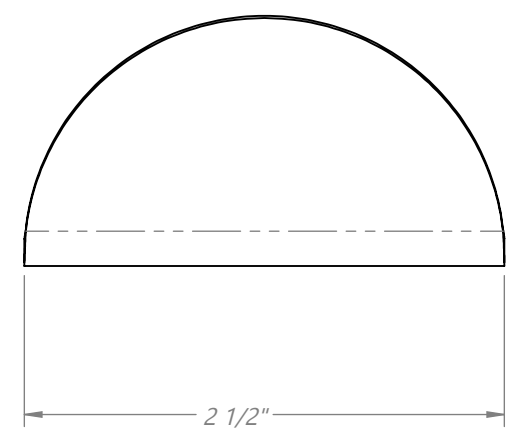


**FOLDING DATA ARE GUIDELINES ONLY.  
OTHER VIEWS MUST BE PRIORITIZED.**

**NOTE:**  
TO SEAL IN A BAG ALTOGETHER:  
• 1x DOOR C GUIDE  
• 2x FLAT HEAD PHILLIPS SOCKET SCREW, #6-9 x 1 1/4" LG, BLACK OXYDE



Φ 11/32" √ 82°  
DRILL 5/32" THROUGH ALL  
TYP. 2PL.



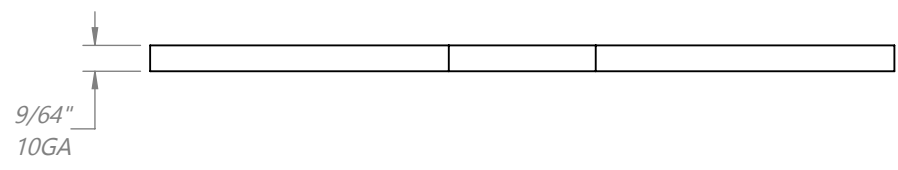
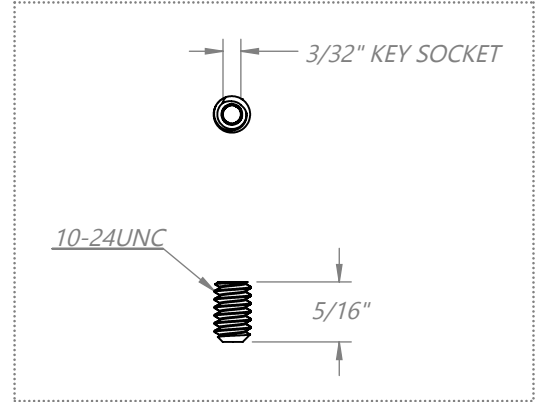
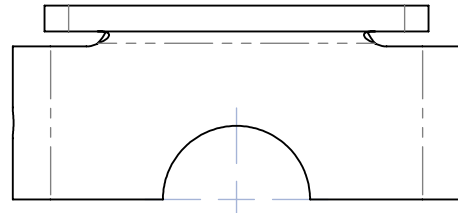
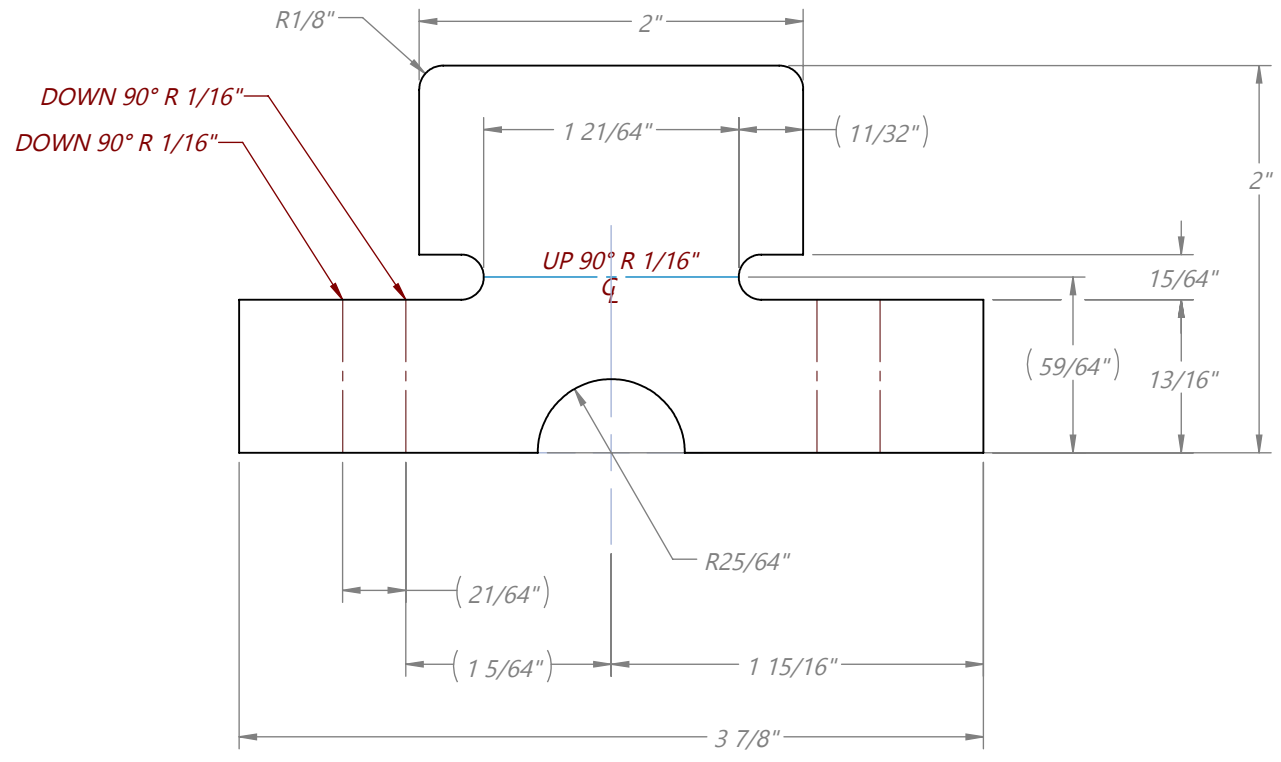
D  
C  
B  
A

PLEASE USE THE 3D PART SUBMITTED WITH THIS DRAWING TO PRODUCE: DOOR C GUIDE (SDH)-R00

<b>MATERIAL/TREATMENT:</b> GA10 MILD STEEL SHEET <b>FINISHING:</b> TEXTURED BLACK COATING AS PER PROCESS, IF NOT SPECIFIED.		<b>TOLERANCES (NON-CUMULATIVE):</b> NON-MACHINED DIMENSIONS:		2190, 3e RUE SAINT-ROMUALD (QUÉBEC) CANADA G9W 6Y1 TOLL FREE: 1-800-463-7230 PHONE: 418-334-6661 FAX: 418-334-6662 EMAIL: INFO@METALLIFER.COM WEB: WWW.METALLIFER.COM	<b>NOTICES</b> THIS DRAWING IS AN EXCLUSIVE PROPERTY OF METALLIFER (2009) LTEE AND IT CAN'T BE DIRECTLY OR INDIRECTLY USED BY OTHER MANUFACTURERS AND OTHER INSTITUTIONS WITHOUT A WRITTEN CONSENT OF METALLIFER (2009) LTEE.
RADI: 0.3lbs ESTIMATED NET WEIGHT: 0.14kg	DRAFT ANGLE: 1 QTY/ASSEMBLY: 1	MACHINED DIMENSIONS: NOMINAL: ±1/64" [0.40mm] .X: ±0.010" [0.25mm] .XX: ±0.007" [0.18mm] .XXX: ±0.003" [0.08mm] ANGLES: ±5°	BREAK SHARP CORNERS / DEBURRS ROUGHNESS AVERAGE: 125µin [3.2µm]		

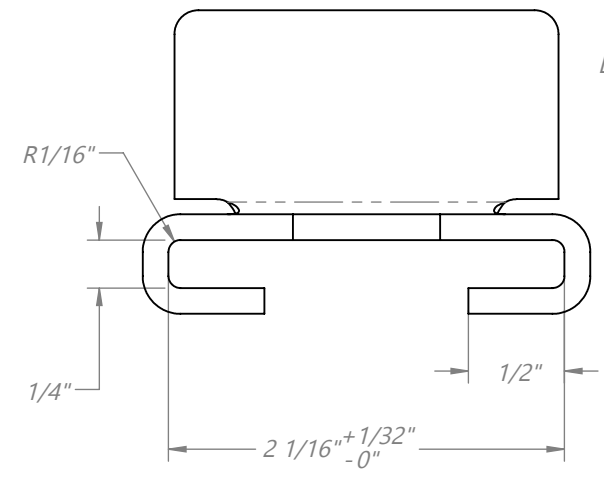
DRAWN BY: PROJECT: DOOR C GUIDE (SDH) - TB  
 VERIFIED BY: (YEAR-MONTH-DAY) 2014-06-02 1445PSDH72STB-00,R01  
 FORMAT: SCALE: PAGE: B 1:1 7/10

UNFOLD SHEET STATE

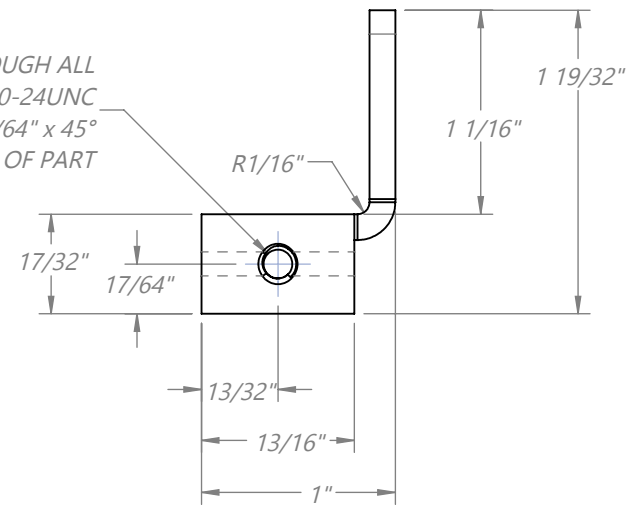


FOLDING DATA ARE GUIDELINES ONLY.  
 OTHER VIEWS MUST BE PRIORITIZED.

**NOTE:**  
 TO SEAL IN A BAG ALTOGETHER:  
 • 2x DOOR STOP-SHORT SLEAVE  
 • 4X SETSCREW 10-24UNC x 5/16" FLAT POINT



DRILL 0.1495 (NO. 25) THROUGH ALL  
 TAP 10-24UNC  
 CHAMFER 1/64" x 45°  
 TYP. BOTH SIDES OF PART

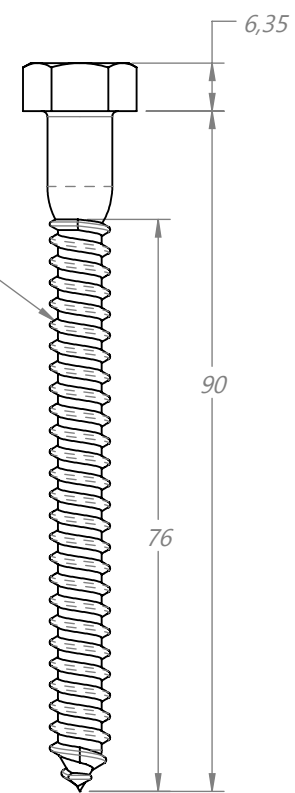
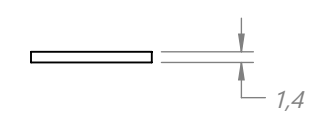
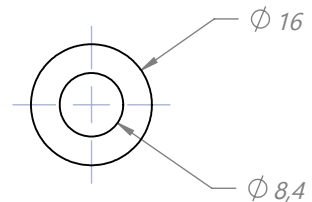
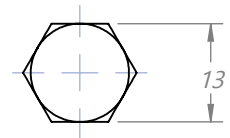


PLEASE USE THE 3D PART SUBMITTED WITH THIS DRAWING TO PRODUCE: DOOR STOP (SDH)-Q2-GLISSIERE (SETSCREW)				TOLERANCES (NON-CUMULATIVES) NON-MACHINED DIMENSIONS:		2190, 3e RUE, SAINT-ROMULF (QUEBEC) CANADA G9W 6Y1 TEL: 438-334-6664 FAX: 438-334-6665 EMAIL: INFO@METALLIFER.COM WEB: WWW.METALLIFER.COM	NOTICES THIS DRAWING IS AN EXCLUSIVE PROPERTY OF METALLIFER (2009) LTEE AND IT CAN'T BE DIRECTLY OR INDIRECTLY USED BY OTHER MANUFACTURERS AND OTHER INSTITUTIONS WITHOUT A WRITTEN CONSENT OF METALLIFER (2009) LTEE.		
MATERIAL/TREATMENT: <b>10GA MILD STEEL SHEET</b> FINISHING: <b>TEXTURED BLACK COATING</b>		AS PER PROCESS, IF NOT SPECIFIED: DRAFT ANGLE: 125µm ROUGHNESS AVERAGE: [3.2µm]		MACHINED DIMENSIONS: NOMINAL: ±1/64" [0.40mm] .X: ±0.01" [0.25mm] .XX: ±0.007" [0.18mm] .XXX: ±0.003" [0.08mm]			PROJECT: <b>DOOR STOP (SDH) - TB</b>		
ESTIMATED NET WEIGHT: 0.2lbs 0.09kg		QTY/ASSEMBLY: 2		BREAK SHARP CORNERS / DEBURRS		DATE: (YEAR-MONTH-DAY) 2014-06-02		REVISION STATUS: 1445PSDH72STB-00,R01	
				IMPERIAL		DRAWN BY:		FORMAT: SCALE: PAGE: B 1:1 8/10	

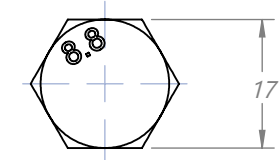




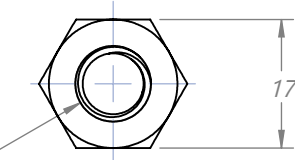
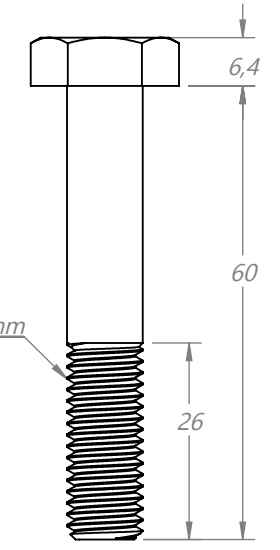
TO BE PROVIDED IN THE SAME BAG OF ADJUSTABLE SPACERS (see page 6)



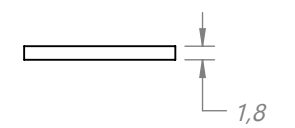
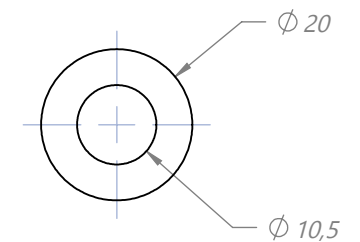
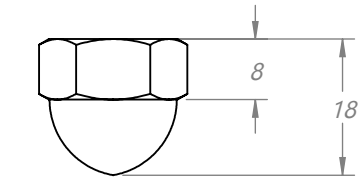
THREAD M8 x 2.8mm x 90mm



THREAD M10 x 1.5mm x 60mm



THREAD M10 x 1.5mm x 9.7mm DEEP MIN.



**NOTE:**  
**TO SEAL IN A BAG ALTOGETHER:**

- 4x HEX CAP SCREW M10 x 1.5mm x 60mm LG GR.8.8, BLACK
- 4x ACORN NUT M10 x 1.5mm x 9.7mm MIN. THREADING, BLACK
- 8x WASHER M10, 20mm OD x 10.5mm ID x 2mm, BLACK

<b>MATERIAL/TREATMENT:</b> ASSORTED STEEL FASTENERS		<b>TOLERANCES (NON-CUMULATIVES)</b> NON-MACHINED DIMENSIONS:				<b>NOTICES</b> THIS DRAWING IS AN EXCLUSIVE PROPERTY OF METALLIFER (2009) LTEE AND IT CAN'T BE DIRECTLY OR INDIRECTLY USED BY OTHER MANUFACTURERS AND OTHER INSTITUTIONS WITHOUT A WRITTEN CONSENT OF METALLIFER (2009) LTEE	
<b>FINISHING:</b> [SEE NOTE]		AS PER PROCESS, IF NOT SPECIFIED:		MACHINED DIMENSIONS:		DRAWN BY: EMMANUEL TREMBALY	
RADI: ---		DRAFT ANGLE: ---		NOMINAL: ±1/64" [0.40mm]		PROJECT: DOOR HARDWARE KIT	
ESTIMATED NET WEIGHT: 1 lbs   0.45 kg		ROUGHNESS AVERAGE: 125µm [3.2µm]		X: ±0.010" [0.25mm]		VERIFIED BY: FRANÇOIS DUSSAULT	
SEE NOTE FASTENERS DETAIL		BREAK SHARP CORNERS / DEBURRS		.XX: ±0.007" [0.18mm]		DATE: 2014-06-02	
				.XXX: ±0.003" [0.08mm]		PART NUMBER: 1445PSDH72STB-00,R01	
						FORMAT: B	
						SCALE: 1:1	
						PAGE: 10/10	