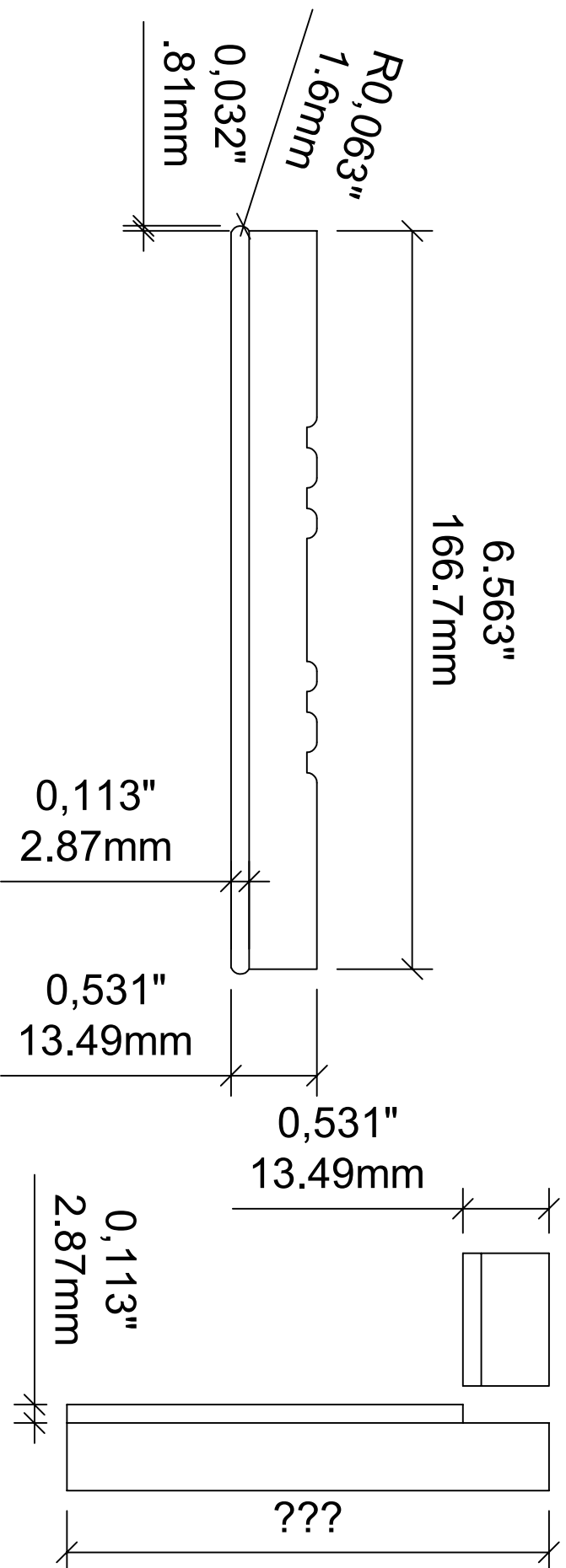


CODE " D "

Tête pré-monteur



DRAWING NO: 2962D Rev	DRAW BY: YL	DATE: 2023-02-08	TOLERANCES	CUSTOMER APPROVAL
CATEGORY:	APPR BY:	DATE:	THICKNESS:	I HAVE REVIEWED THIS DRAWING: <input type="checkbox"/> APPROVED AS DRAWN <input type="checkbox"/> APPROVED AS CORRECTIONS
DIMENSIONS: .531" x 6.563"			WIDTH:	
REVISION DATE:			LENGTH:	
			RADIUS:	Signature: _____ Date: _____

Interbois Inc., 305 rue du Parc, St-Odilon (QC) G0S3A0  
CANADA Tel: 418-464-4000 Fax: 418-464-4010  
info@interbois.ca | interbois.ca