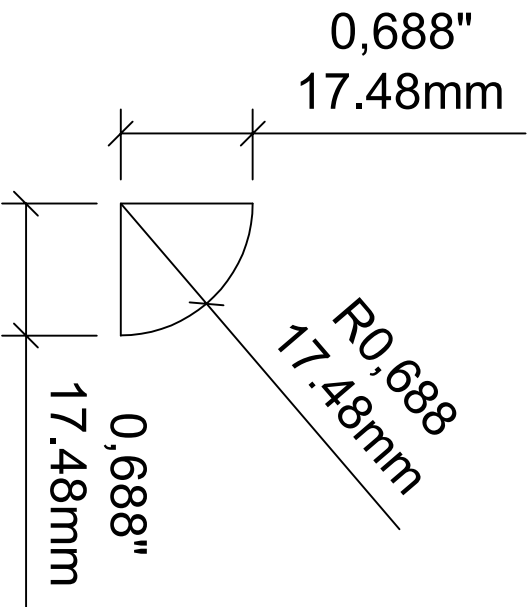


WMM 106



Interbois Inc., 305 rue du Parc, St-Odilon (QC) G0S3A0
 CANADA Tel: 418-464-4000 Fax: 418-464-4010
 info@interbois.ca | interbois.ca

DRAWING NO: 1310 Rev	DRAW BY: YL	DATE: 2023-02-16	TOLERANCES	CUSTOMER APPROVAL I HAVE REVIEWED THIS DRAWING: <input type="checkbox"/> APPROVED AS DRAWN <input type="checkbox"/> APPROVED AS CORRECTIONS Signature: _____ Date: _____
CATEGORY:	APPR BY:	DATE:	THICKNESS:	
DIMENSIONS: $\frac{11}{16}$ x 1 1/16			WIDTH:	
REVISION DATE:			LENGTH:	
			RADIUS:	